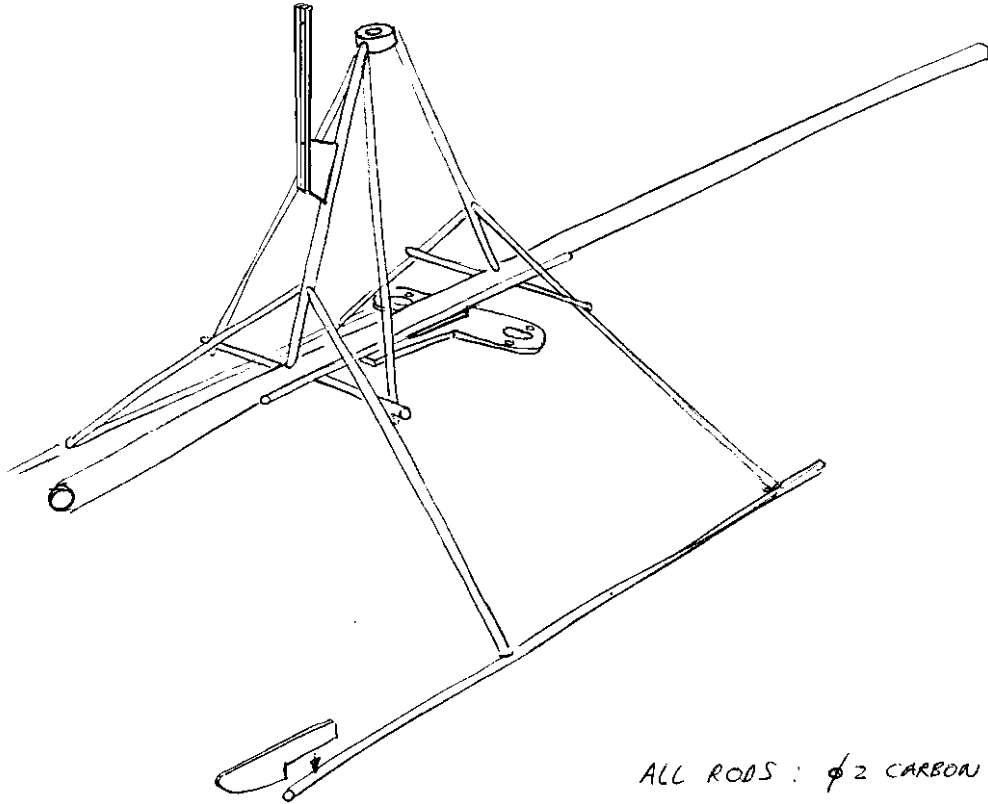
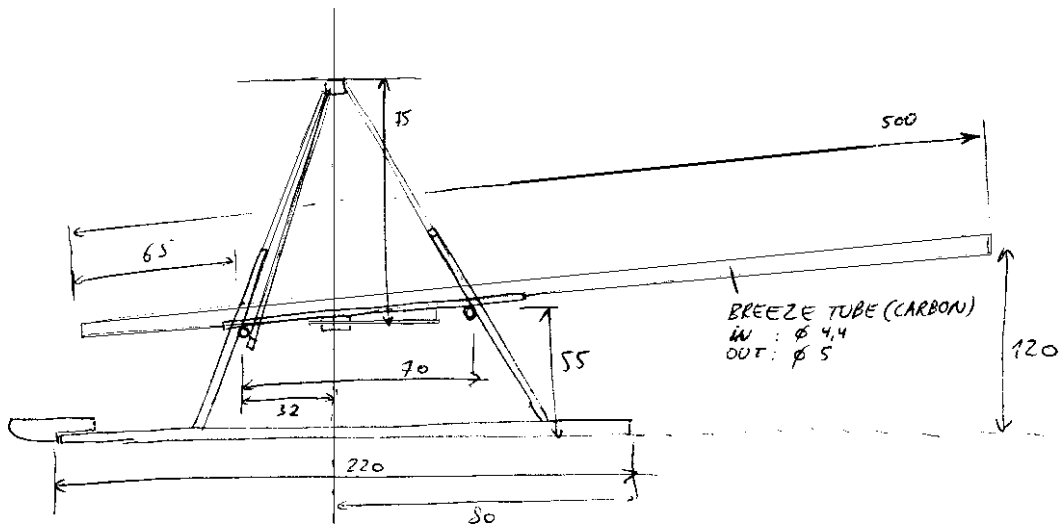
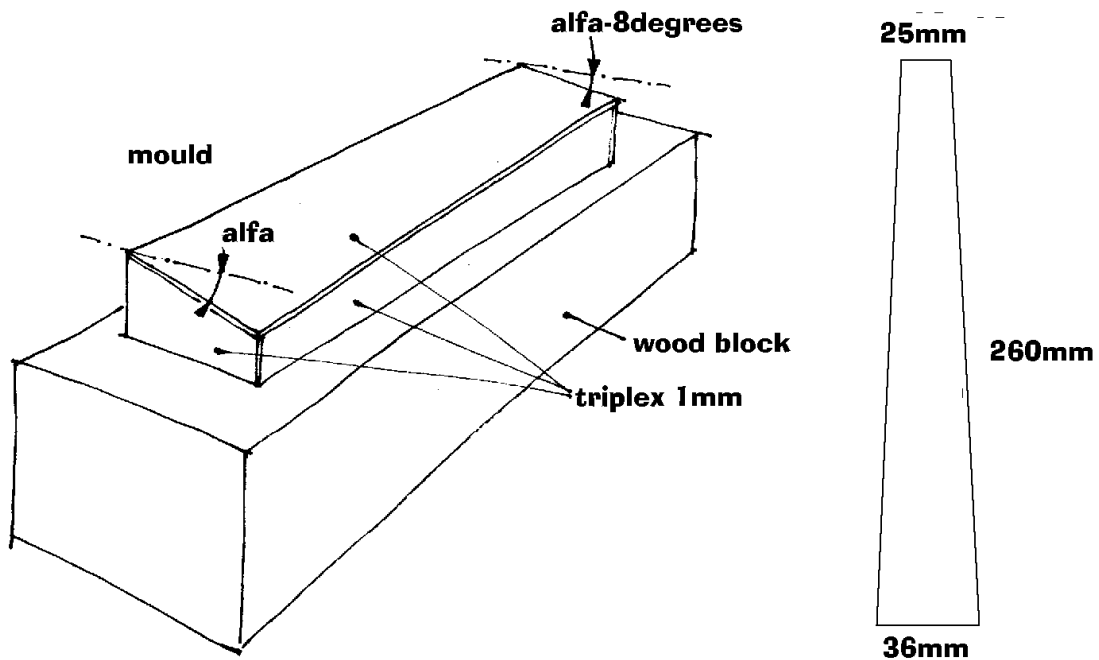


FRAME

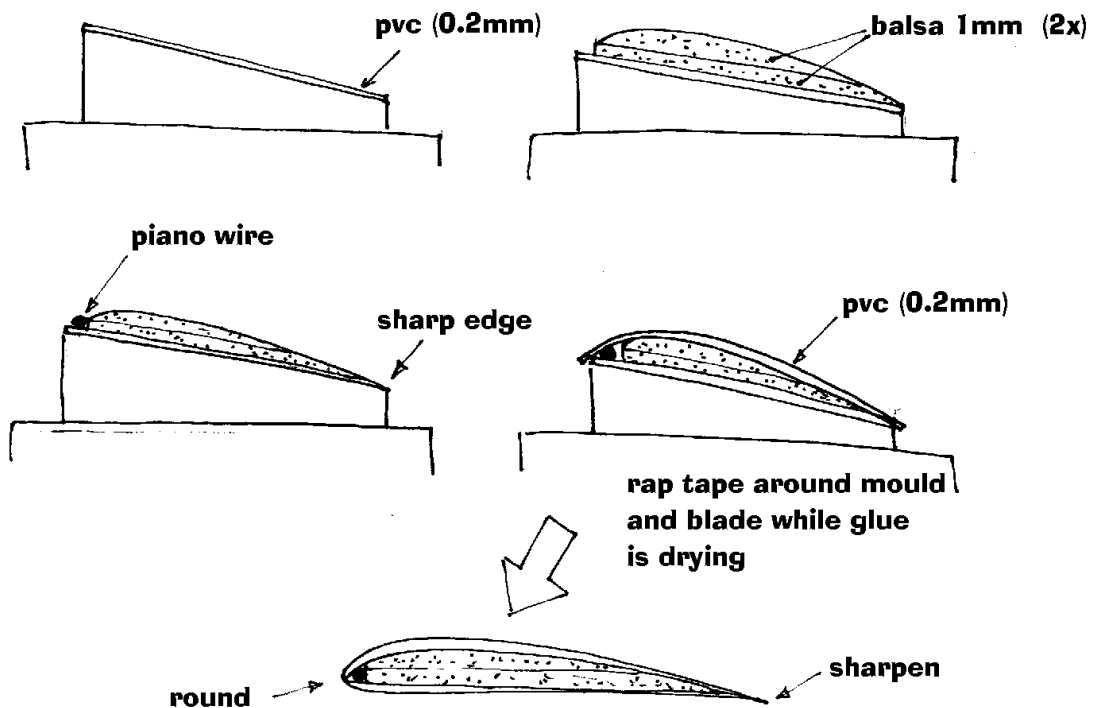


ALL RODS : $\phi 2$ CARBON
SECURE ALL JOINTS WITH
COTTON THREAD + CYANO GLUE

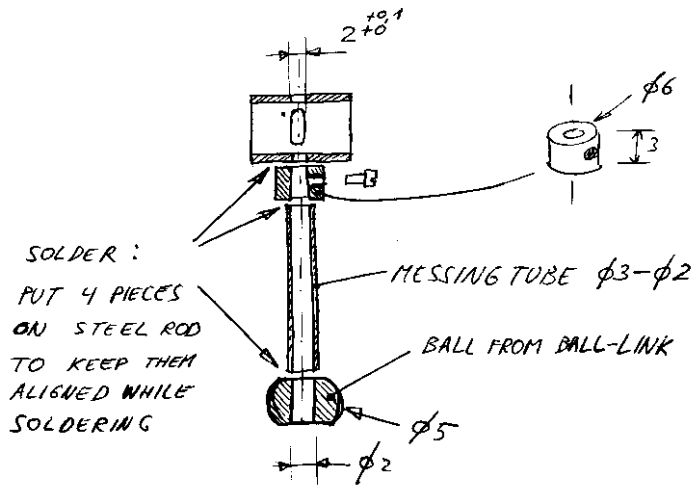
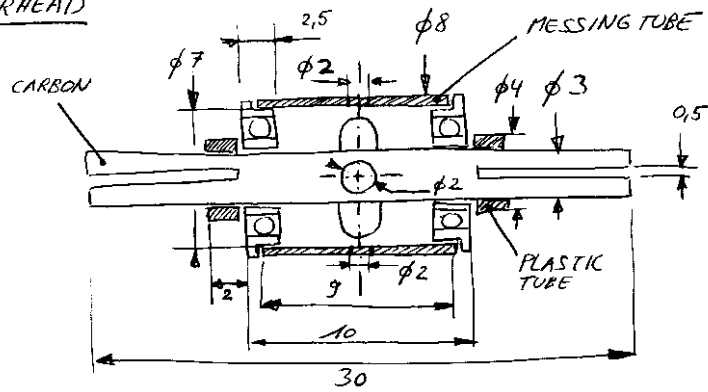




Rotor blade : glue everything with cyano (ex. green ZAP), or epoxy

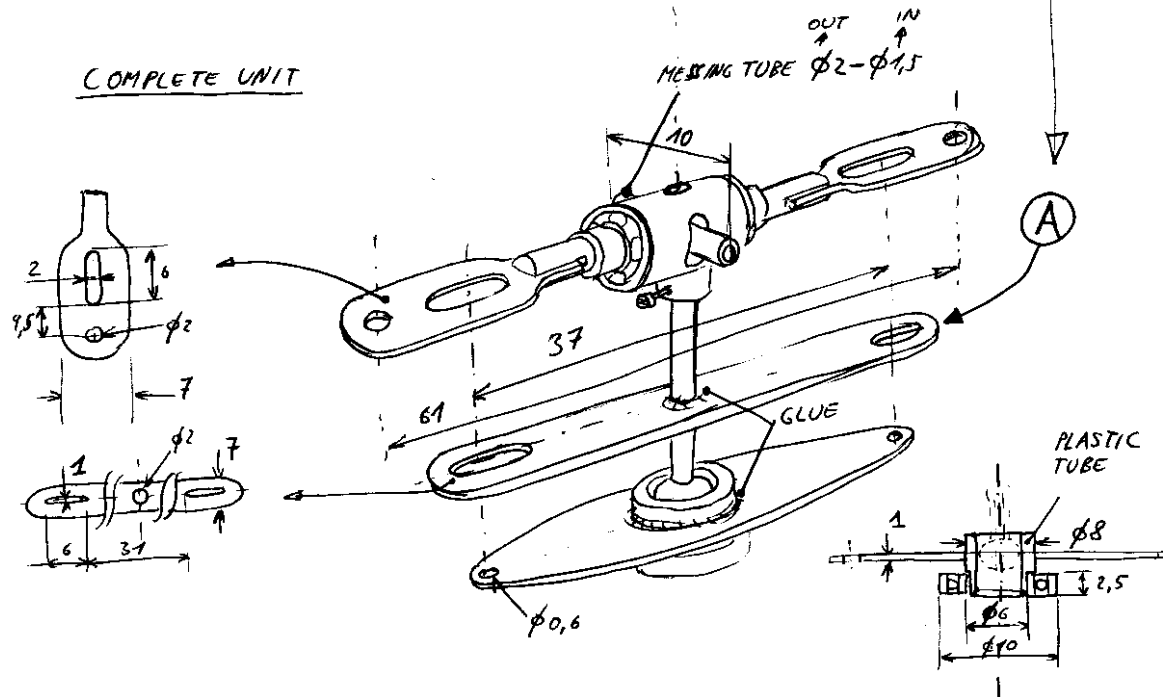


ROTORHEAD

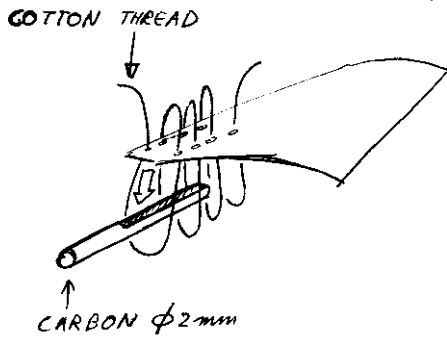
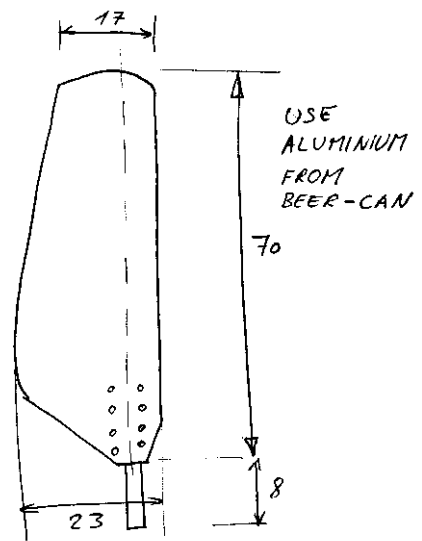
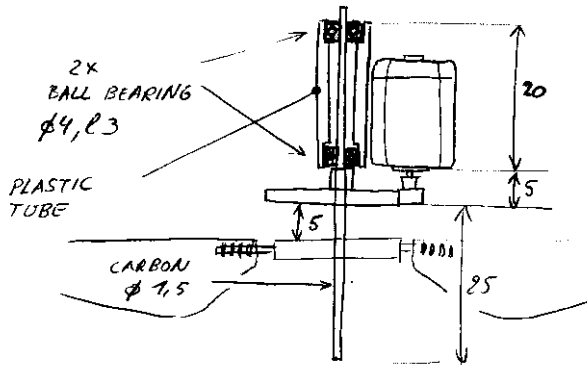
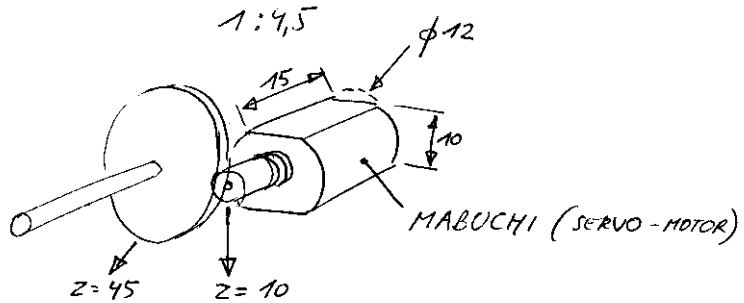


▽ GLUE PLATE (A) ▽
○ BEFORE SOLDERING ○

COMPLETE UNIT



TAIL ROTOR



⇒ ROLL WITH ROD (4-φ5mm) TO ACHIEVE TWIST

